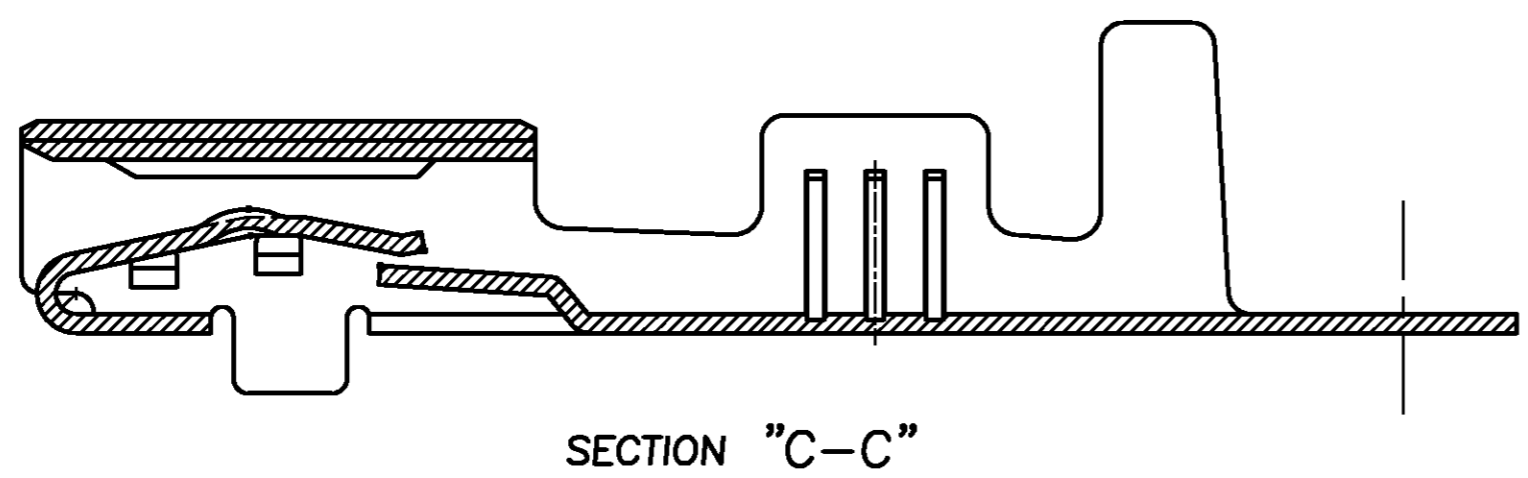
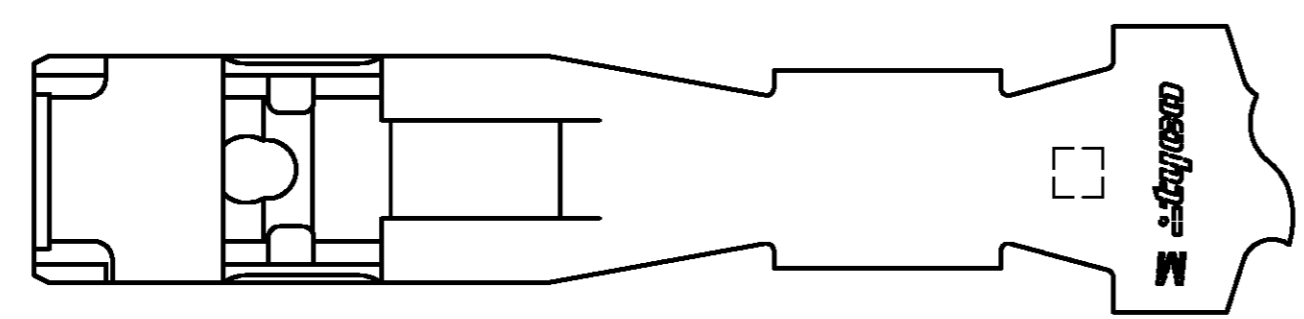
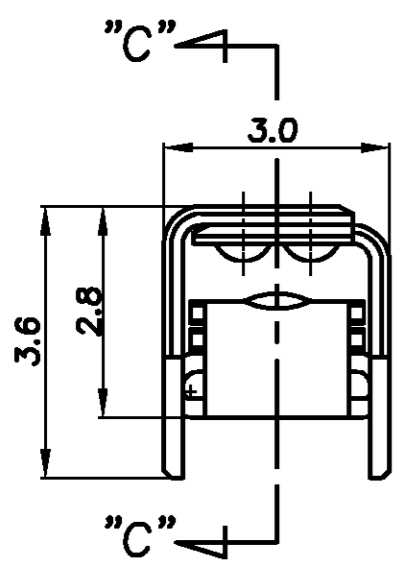
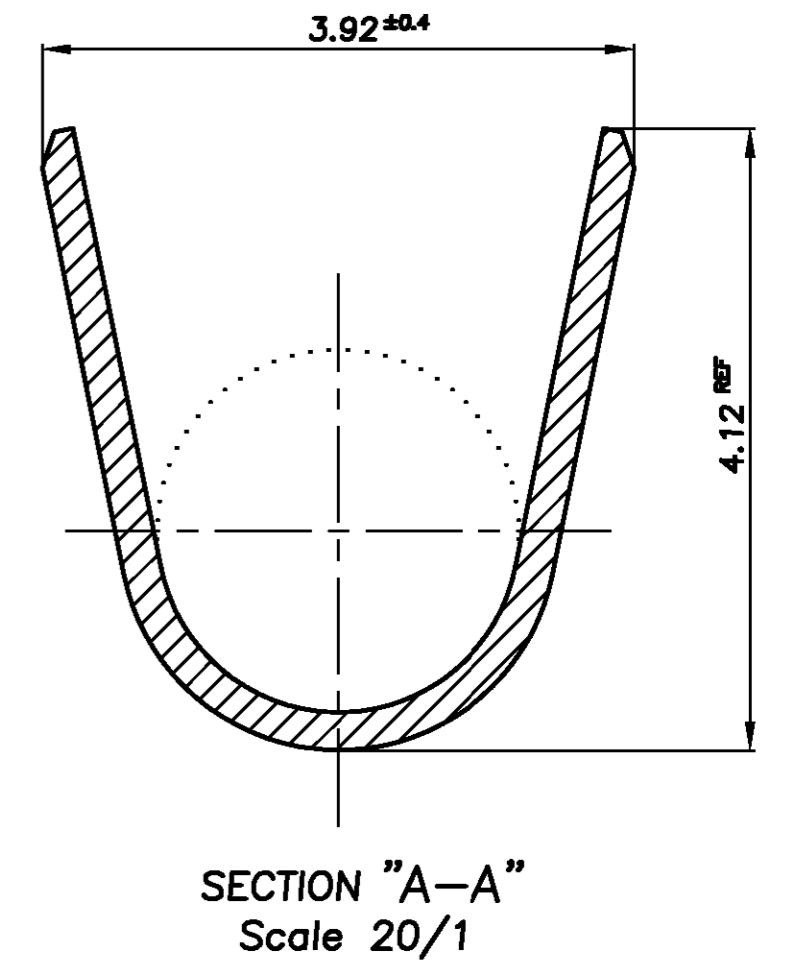
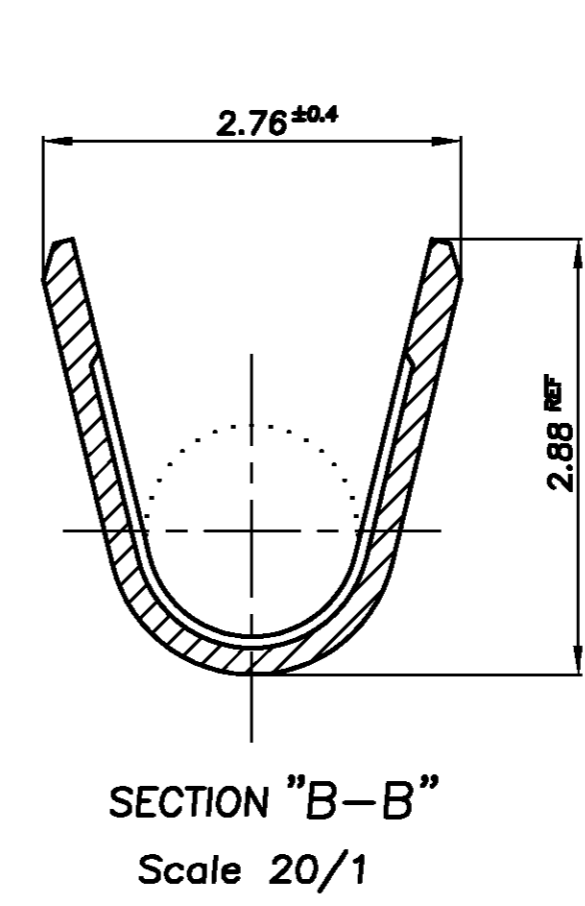
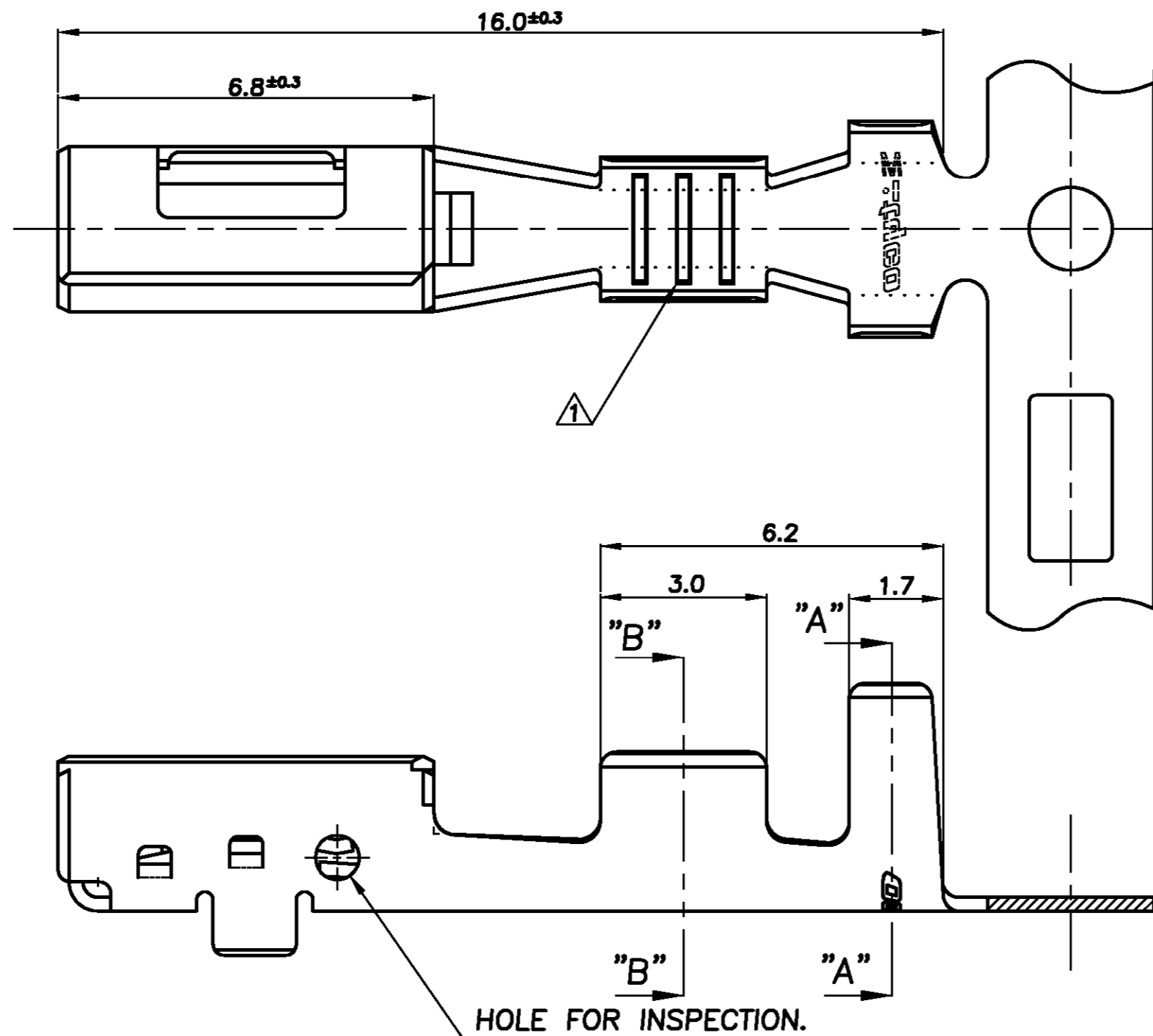


THIS DRAWING IS UNPUBLISHED. RELEASED FOR PUBLICATION
 © COPYRIGHT BY TYCO ELECTRONICS CORPORATION, ALL RIGHTS RESERVED.

REVISIONS					
P	LTR	DESCRIPTION	DATE	DWN	APVD
A		RELEASED	24.APR.'06	YH	JK
B		REVISED(ECR-06-023270)	12.OCT.'06	BS	JK



- * NOTES
- ① THREE SERRATIONS CENTERED IN WIRE BARREL
 - ② WIRE SIZE EQUIV AVSF 0.75 ~ AEXF 1.25 sqmm.
 - ③ APPLIED HSG P/N : SEE 2/2 SHEET

PRE-TINNED		CuNiSi Alloy 0.25THK		1743655 -1	
FINISH		MATERIAL		PART NUMBER	
<small>THIS DRAWING IS A CONTROLLED DOCUMENT FOR TYCO ELECTRONICS CORPORATION. IT IS UNLAWFUL TO REPRODUCE, COPY, OR DISSEMINATE THIS INFORMATION WITHOUT THE WRITTEN PERMISSION OF TYCO ELECTRONICS CORPORATION. SHOULD BE CONTACTED FOR THE LATEST REVISION.</small>		tyco Electronics		AMP KOREA. kyungsan, korea	
DIMENSIONS: MM 		TOLERANCES UNLESS OTHERWISE SPECIFIED: 0 <XX<10 ± 0.2 10<XX<30 ± 0.25 30<XX ± 0.3 ANGLES ± 3°		NAME 090 III MLC RECEPTACLE(M)	
MATERIAL: - FINISH: -		APPLICATION SPEC 114-61014		SIZE CAGE CODE DRAWING NO A2 00779 C= 1 7 4 3 6 5 5	
WEIGHT: - CUSTOMER DRAWING		SCALE 10/1 SHEET 1 OF 2 REV B		RESTRICTED TO: -	

THIS DRAWING IS UNPUBLISHED. RELEASED FOR PUBLICATION
 © COPYRIGHT BY TYCO ELECTRONICS CORPORATION, ALL RIGHTS RESERVED.

REVISIONS				
LOC	DIST	P	LTR	DESCRIPTION
DS	-			SEE SHEET 1 OF 2

NO	DESCRIPTION	POS	P/N
1	090 III 2P PLUG ASS'Y	2P	936224
2	090 III 4P PLUG ASS'Y	4P	936227
3	090 III 6P PLUG ASS'Y(1ROW)	6P	936230
4	090 III 6P PLUG ASS'Y(2ROW)	6P	936268
5	090 III 6P PLUG ASS'Y(FOG S/W)	6P	1743184
6	090 III 8P PLUG ASS'Y	8P	936233
7	090 III 10P PLUG ASS'Y	10P	936092
8	090 III 12P PLUG ASS'Y	12P	936196
9	090 III 14P PLUG ASS'Y	14P	936199
10	090 III 16P PLUG ASS'Y	16P	936201
11	090 III 18P PLUG ASS'Y	18P	936204
12	090 III 20P PLUG ASS'Y	20P	936095
13	090 III 22P PLUG ASS'Y	22P	936151
14	090 III 26P PLUG ASS'Y	26P	936098
15	090/SPT HYB 2P PLUG ASS'Y	2P	936568
16	090/SPT HYB 4P PLUG ASS'Y	4P	936444
17	090/SPT HYB 10P PLUG ASS'Y	10P	936363
18	090/SPT HYB 12P PLUG ASS'Y	12P	936372
19	090/SPT HYB 14P PLUG ASS'Y	14P	368451
20	090/SPT HYB 16P PLUG ASS'Y	16P	368454
21	090/SPT HYB 18P PLUG ASS'Y	18P	368497
22	090/SPT HYB 20P PLUG ASS'Y	20P	368457
23	090/SPT HYB 32P PLUG ASS'Y	32P	936321
24	090/SPT HYB 40P PLUG ASS'Y	40P	936352
25	090/SPT HYB 76P PLUG ASS'Y	76P	936195
26	040/090/JPT HYBRID CONNECTOR 39P PLUG ASS'Y	39P	936405
27	040/090/JPT HYBRID CONNECTOR PLUG 20P	20P	936517
28	090 25P PLUG FOR DOOR TO BODY	25P	936369
29	090 30P PLUG FOR DOOR TO BODY	30P	368488
30	090 33P PLUG FOR DOOR TO BODY	33P	936283
31	040/090 III HYBRID 14P PLUG	14P	1743247
32	090 III PLUG ASS'Y FOR 62P CONN	62P	1743346
33	090/250 HYB 40P PLUG HSG ASS'Y	40P	936063
34	090/250/MCP 9.5 HYBRID 82P PLUG ASS'Y	82P	1743033
35	090/250 HYBRID 92P PLUG ASS'Y	92P	1743037
36	090/250 HYBRID 56P PLUG ASS'Y	56P	1743029
37	PLUG ASSEMBLY CONNECTOR FOR HYB 42P(.040/.090)	42P	1743098
38	PLUG ASSEMBLY CONNECTOR FOR HYB 39P(.040/.090/.250)	39P	1743089
39	040/090 HYBRID 39P PLUG ASSY FOR LIF CONNECTOR(LHD)	39P	1743531
40	040/090/MCP HYB 42P PLUG FOR ASSY DOOR BODY	42P	1743680

FINISH		MATERIAL		PART NUMBER	
DIMENSIONS: MM		TOLERANCES UNLESS OTHERWISE SPECIFIED:		DWN CHK APVD PRODUCT SPEC APPLICATION SPEC	
		0 <XX<10 ± 0.2 10<XX<30 ± 0.25 30<XX ± 0.3 ANGLES ± 3°		tyco Electronics AMP KOREA, kyungsan, korea NAME 090 III MLC RECEPTACLE(M)	
MATERIAL		FINISH		SIZE CAGE CODE DRAWING NO A2 00779 C= 1 7 4 3 6 5 5 RESTRICTED TO	
				WEIGHT CUSTOMER DRAWING SCALE 10/1 SHEET 2 OF 2 REV B	